

# SU20

## Analogue Transmitter for Variable Area Flow Meter DS01 to DS09

- analogue signal 4...20 mA and 0...10 V
- operating temperature up to 70 °C
- accuracy: +/- 10 % of full scale
- aluminium housing, anodized



### Description:

The SU20 analogue transmitter can be used in combination with the DS01 to DS09 variable area flowmeters.

With the help of hall sensors, the position of magnetic floats / pistons is detected and output as an analogue signal. This analogue signal (4...20 mA and 0...10 V) can be used for various measurement and control tasks.

The transmitter is characterized by a reliable function and a high reproducibility.

### Typical applications:

In combination with variable area flowmeter

- DS01
- DS02
- DS03
- DS04
- DS05
- DS06
- DS07
- DS08
- DS09

## Technical Data:

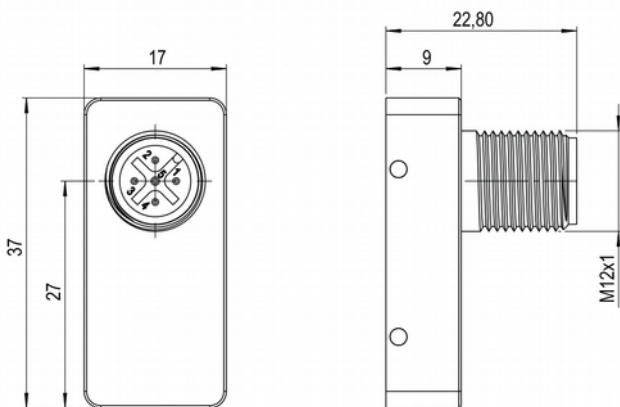
<b>Accuracy*:</b>	+/- 10 % of full scale
<b>Operating temperature:</b>	-20...+70 °C
<b>Lagertemperatur:</b>	-20...+80 °C
<b>Reproducibility:</b>	+/- 3 % of full scale
<b>Housing material:</b>	aluminium, blue anodized
<b>Protection class:</b>	IP67

\* higher accuracy possible on request with individual calibration

## Electrical Data:

<b>Analogue output:</b>	4...20 mA and 0...10 V
<b>Power supply:</b>	24 VCD (19...30 VDC)
<b>Power consumption:</b>	< 1 W
<b>Current output:</b>	Max. load 600 Ohm
<b>Voltage output:</b>	Max. current 10 mA
<b>Connection:</b>	round plug M12x1, 5-pole

## Dimensions:



## Order Code:

### SU20

integrated in the order code of the float measuring instrument, e.g:

DS02.1.1.1.W13.0.**SU20.0**

### Advice:

Flowmeters and analogue transmitters are calibrated at the factory and cannot be exchanged.

## Electrical Connection:

