

# MODELS- 741, 742, 743, 852, 853, 961, 962, 963.



## Stainless Steel Inert Gas Thermometer

Industrial thermometers manufactured entirely in stainless steel specially designed for heavy duty use and suitable for the food, chemical, pharmaceutical and dairy industries and wherever the use of stainless steel is required.

The inert gas we use (nitrogen) is neither toxic nor a pollutant. These thermometers are safe and give higher technical performance (precision and speed of response) superior to previous mercury based models.

### STANDARD SPECIFICATION

Rigid Stem Inert Gas Stainless Steel Thermometer  
(Weatherproof Construction to IP66)

**Temperature element**  
Inert Gas System

**Case**  
316 Stainless Steel Weatherproof Construction

**Bezel**  
316 Stainless Steel

**Dial**  
White Anodised Aluminium (Black Printing)

**Pointer**  
Black Aluminium

**Stem**  
Stainless Steel (Dia 6,8,10,12,12.7mm) (Length 65mm to 3000mm)

#### Stem Minimum Lengths Gas filled

Stem Dia $\phi$ mm	Min Length Under Comp Fitting mm
6	293
8	196
10	85
12	65
12.7	65

**Capillary**  
Plain or Armoured spiral wound Stainless Steel 1 to 33 mtrs

**Window**  
Sheet Glass

**Standard Size**  
63, 100, 150 mm

#### Accuracy class

Nominal range °C	Measuring range °C	Limits of error °C	
		Class 1	Class 2
-20 to 40	-10 to 30	1	2
-20 to 60	-10 to 50	1	2
-20 to 120	-10 to 110	2	4
-30 to 30	-20 to 20	1	2
-30 to 50	-20 to 40	1	2
-30 to 70	-20 to 60	1	2
-40 to 40	-30 to 30	1	2
-40 to 60	-30 to 50	1	2
-100 to 60	-80 to 40	2	4
0 to 60	10 to 50	1	2
0 to 80	10 to 70	1	2
0 to 100	10 to 90	1	2
0 to 120	10 to 110	2	4
0 to 160	20 to 140	2	4
0 to 200	20 to 180	2	4
0 to 250	30 to 220	2.5	5
0 to 300	30 to 270	5	10
0 to 400	50 to 350	5	10
0 to 500	50 to 220	5	10
0 to 600	100 to 500	10	15
0 to 700	100 to 600	10	15
50 to 650	150 to 550	10	15
100 to 700	200 to 600	10	15

**Scale Range**  
- 100 up to 650 deg C.

**Thermowells** See separate data sheet for details.

Model-852



See Page-2 & 3 for Dimension,

#### Optional Extras

- Pointer: Slot adjustable Black Finish.
- Window: laminated Safety Glass / Perspex.
- Liquid filled / Suitable for liquid filling
- Nitelitegage® (See data sheet)
- Thermowells: to user specification
- Vibragauge® (See data sheet)
- Other stem diameters available: On request

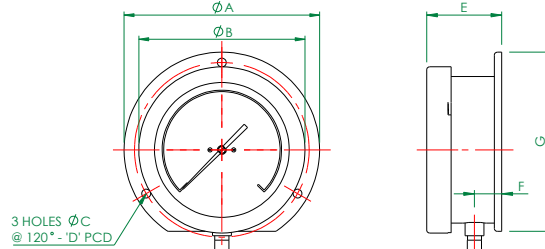
Ordering Parameters, Please state the following: SIZE, MODEL NO, SCALE RANGE, CONNECTION, & OPTIONAL EXTRAS

# MODELS- 741, 742, 743, 852, 853, 961, 962, 963.

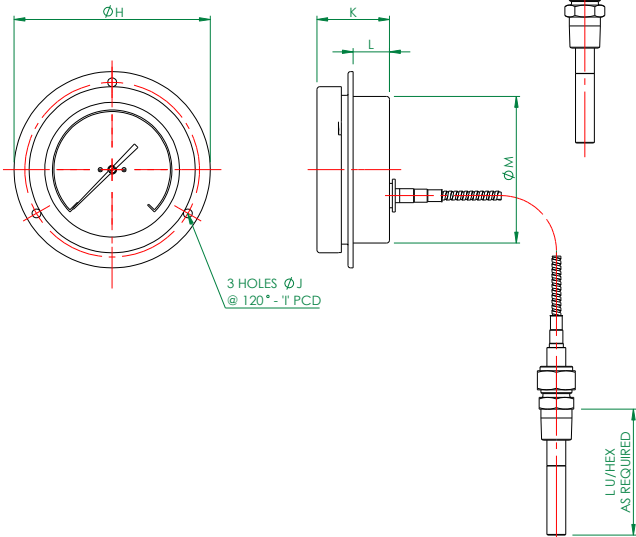
## Stainless Steel Inert Gas Thermometer



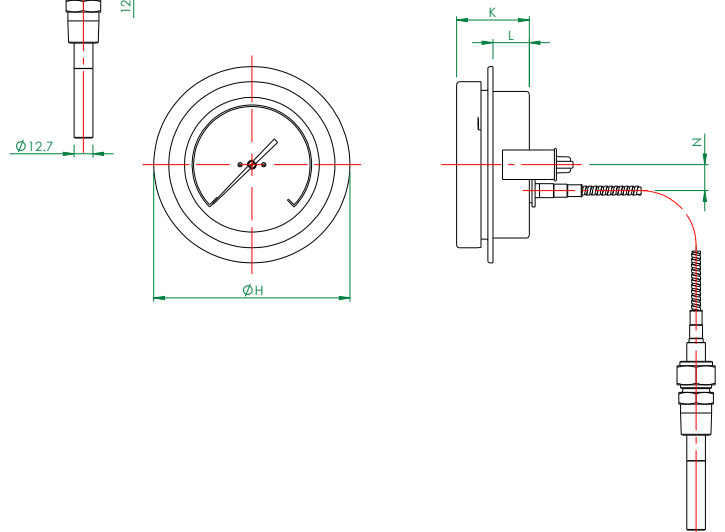
MODEL - 741



MODEL - 742



MODEL - 743



General Arrangement Dimensions in mm, tol'  $\pm 1$ mm

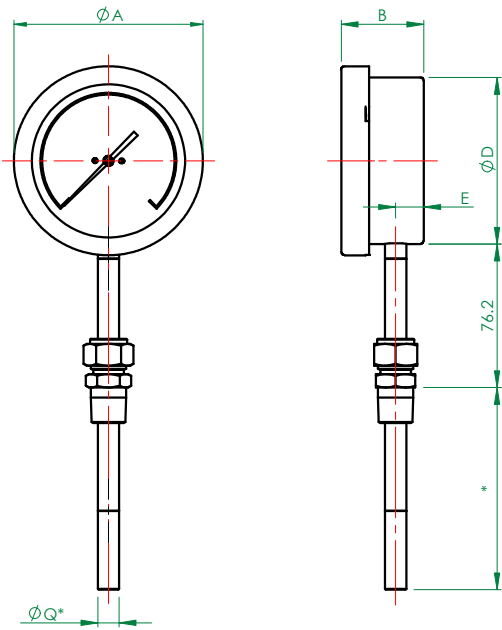
Dim	A	B	C	D	E	F	G	H	I	J	K	L	M	N	PANEL CUT-OUT
Dial $\phi$															
2.5" (63mm)	85	68.5	3.5	75	39	15	78.5	85	75	3.5	37	21.5	62	18.5	66
4" (100mm)	132	112	6	118	50.5	19	121	132	118	6	48.5	24.5	99	17.5	106
6" (150mm)	185	162	5	168	50.5	19.5	174	185	168	5	48.5	24.5	148	17.5	153

# MODELS- 741, 742, 743, 852, 853, 961, 962, 963.

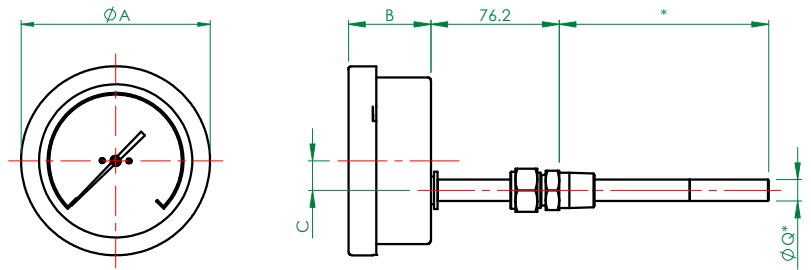
## Stainless Steel Inert Gas Thermometer



MODEL - 852



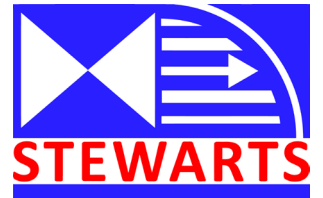
MODEL - 853



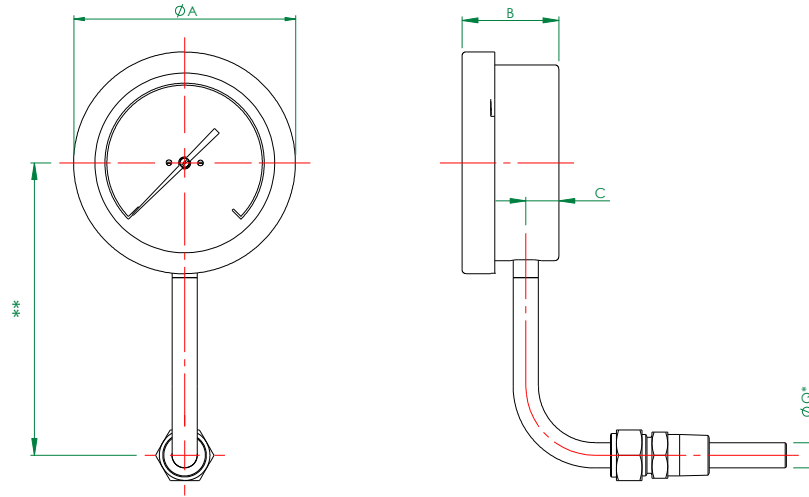
General Arrangement Dimensions in mm, tol' $\pm 1$ mm															
Dim	A	B	C	D	E	F	G	H	I	J	K	L	M	N	PANEL CUT-OUT
2.5" (63mm)	85	68.5	3.5	75	39	15	78.5	85	75	3.5	37	21.5	62	18.5	66
4" (100mm)	132	112	6	118	50.5	19	121	132	118	6	48.5	24.5	99	17.5	106
6" (150mm)	185	162	5	168	50.5	19.5	174	185	168	5	48.5	24.5	148	17.5	153

# MODELS- 741, 742, 743, 852, 853, 961, 962, 963.

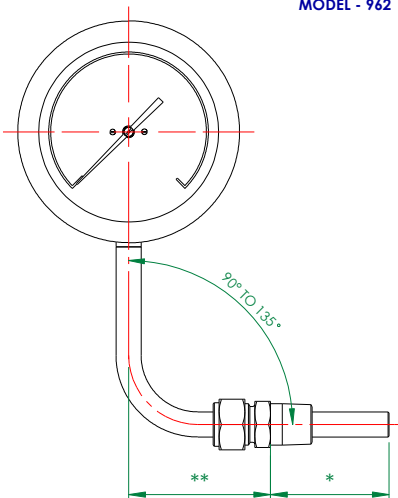
## Stainless Steel Inert Gas Thermometer



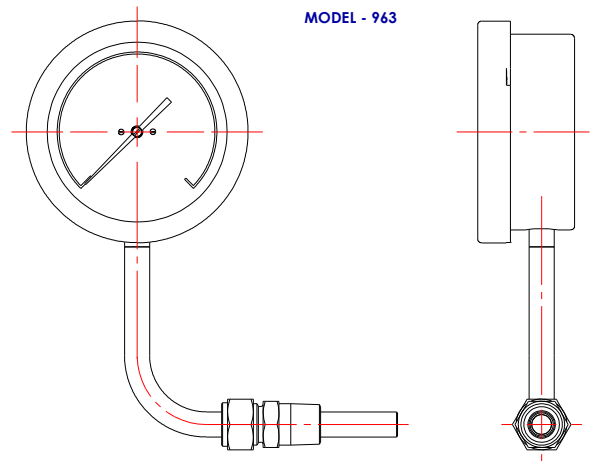
MODEL - 961



MODEL - 962



MODEL - 963



General Arrangement Dimensions in mm, tol' $\pm 1$ mm				
Dim	A	B	C	D
Dial $\phi$				
2.5" (63mm)	68.5	37	18.5	62
4" (100mm)	112	48.5	17.5	99
6" (150mm)	162	48.5	17.5	148

\* SPECIFIED BY CUSTOMER

\*\* DEPENDANT ON TUBE DIA (May have Mitre Bend)

### STEWART-BUCHANAN GAUGES LTD

Sales Office & Manufacturing Facility - 7 Garrell Road, Burnside Industrial Estate, Kilsyth, Glasgow G65 9JX, SCOTLAND  
 Tel: +44 (0)1236 821533 | Fax: +44 (0)1236 824090 | E-mail: sales@stewarts-group.com | Web: stewarts-group.com

